

Ever-Lok® Locking Connections-Accessories

Adaptor Flush Frames*			
No. of Gangs	Cast Aluminum	Cast Brass	Overall Dimensions
1	3671A	3681	5" x 3.5"
2	3672A	3682	5" x 6.5"



Blank Cover*

Covers standard FS/FD box openings.

Cast Aluminum	3677A
Cast Brass	3687



Flush Wall Mounting Extension*

Cast Aluminum	3679A
Cast Brass	3679B



45° Angle Adaptor*

Mounts to any FS/FD box.

Cast Aluminum	3678A
Cast Brass	3678B



Adaptor Sub-Plate*

The addition of this adapter sub-plate will permit the use of Ever-Lok conduit box-type receptacles in switch boxes or outlet boxes with raised covers, as listed. Used on standard (deep) stamped metal conduit boxes. Adapts two hole to four hole patterns.

Cast Aluminum	8091A
---------------	-------



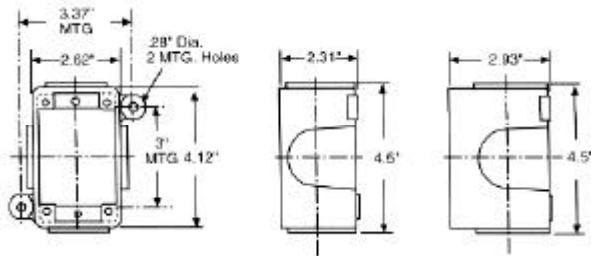
*Furnished complete with gasket and screws.

Materials: Cast aluminum, corrosion-resistant, copper-free alloy, epoxy powder coat finish. Cast brass, natural finish.

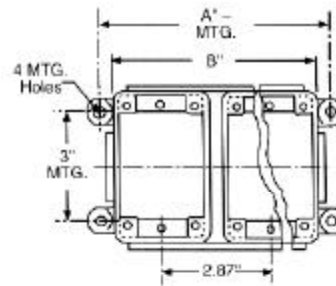
Ever-Lok[®] Locking Connections-Accessories

Type FS & FD

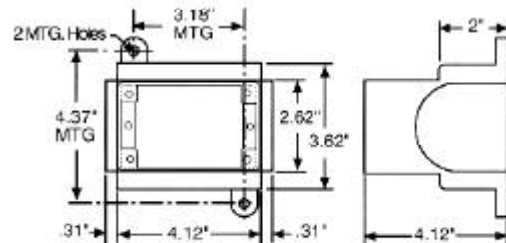
Single Gang



Multiple Gang



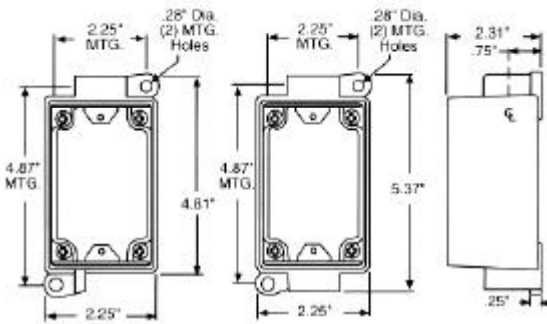
DSFD



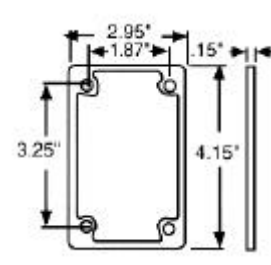
Multiple Gang Dimensions

	A		B	
	FS	FD	FS	FD
2-Gang	6.50"	6.50"	5.50"	5.62"
3-Gang	11.25"	9.37"	10.37"	8.50"
4-Gang	14.12"	12.25"	13.25"	11.37"

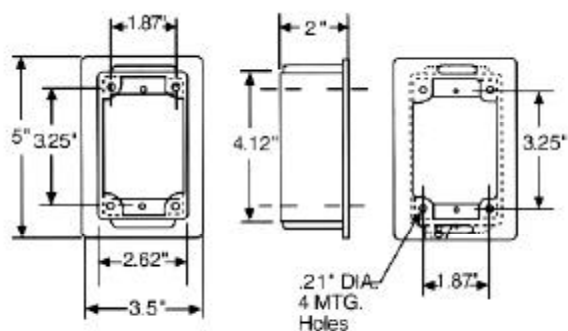
Type FSWS & FDWS



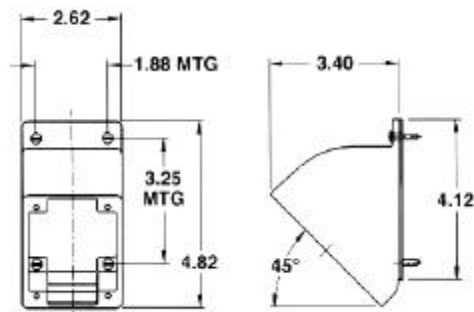
Blank Cover



Flush Mounting Extension



45° Angle Adaptor



Ever-Lok® Locking Connections-Acessories

Combination Gland Nut Cable Clamp



Provides extra clamping protection in hard service applications. Relieves terminals and rubber gland of all cable strain.

Plug or Connector Size	Cast Aluminum Cat. No.	Cast Brass Cat. No.	Max. Cable Dia.
10 Amp	3905	3905B	.62"
20 Amp	3906	3906B	1.12"
30 Amp			

Notes:

Material- cast aluminum, corrosion-resistant, copper-free alloy, epoxy powder coat finish and cast brass.

Conduit Adaptors



Adapters are tapped NPT thread to accommodate armored and non-metallic cable or flexible conduit.

Plug or Connector Size	Cast Aluminum Cat. No.	Cast Brass Cat. No.	Tapped Hole NPT
15 Amp	FSA11	FSA11B	.5"
	FSA12	FSA12B	.75"
30 Amp	FSA21	F5A21B	.5"
50 Amp	FSA22	FSA22B	.75"
	FSA23	FSA23B	1"

Cable Bushings

Hole Diameter for Cable	Size 1 Midget Everlok	Size 2 STD. 15 AMP	Size 3 20, 30 & 50 Amp
.250"	MG0		
.313"		SG05	
.375"		SG1	JG31
.438"	MG15	5G15	
.500"	MG2	SG2	JG32
.531"		SG2A	
.563"	MG25	SG25	JG325
.594"	MG2B	SB2B	
.625"		SG3	JG33
.688"		SG3A	
.750"		SG4	JG34
.875"			JG35
1.000"			JG36*
1.125"			JG361**

Material - oil resistant neoprene.

Size 3 Cable Bushing:

*Style for Maximum Cable only.

**Special minimum wall style.

Notes:

Bushing Specials available at time of order.

When standard plugs or connectors are required to be furnished with one or more of the above accessories, add the suffix and catalog number of the accessory selected to the catalog number of the plug or connector. Complete list price is the total of the list price of the device plus the list price of the accessory.

EXAMPLE - Catalog No. SKP3G with adapter tapped 3/8" would be Catalog No. SKP3G/JG31.



Size 2 Cable Bushing



Size 3 Cable Bushing

Heavy Service Ever-Lok® -Overview

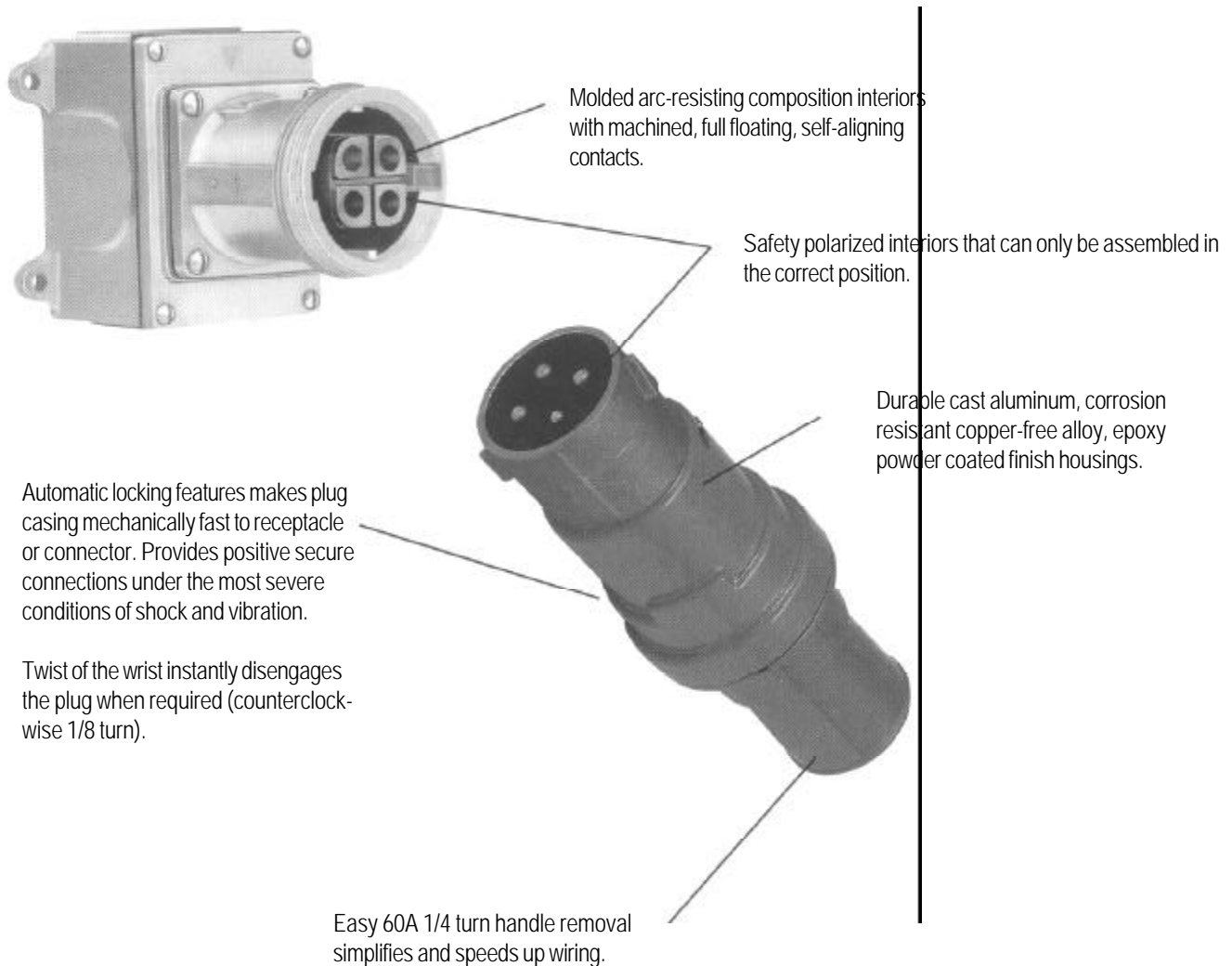
Heavy Duty Automatic Locking Receptacles, Plugs & Connectors

30-200 Amp, 480VAC / 250VDC

Heavy Service EverLok components **stay** plugged-in so your portable equipment stays on. The industrial **standard** for portable welders and other industrial equipment locks in place automatically at insertion - no screw collars to bother with. With its contoured handle, an easy counter-clockwise twist releases the plug for withdrawal, even under full-rated load / circuit-interrupting conditions.





Simple and rugged, the Heavy Service EverLok self-locking system sets the standard for easy access in facilities, welding and industrial equipment use. All standard receptacle configurations are available, as well as reversed contacts - service options.

Design Features



(Combination conduit adapter thread/
clamp assembly included)

Heavy Service Ever-Lok® -Ordering information

	Plugs	Connectors	Receptacles	
				
			HSF Series Basic Receptacle	HSA Series*
30 Amp 2P, 3W	8407	8443	HSF8403	8403
3P, 4W	8408	8444	HSF8404	8404
60 Amp 2P, 3W	8417	8453	H5F8413	8413
3P, 4W	8418t	8454	HSF8414	8414
100 Amp 3P, 4W	8428-72	8464-72	HSF8424-72	8474-72

Note:

Reverse service available by adding "R" suffix to catalog number.
Solder lugs on 100 amp only.

Connectors - can be furnished with conduit adapters to accommodate rigid conduit or standard connectors for armored and non-metallic cable or flexible conduit. See page 112.

*Can be furnished with 45° angle adapter when specified on order.
Add suffix-45 to catalog number.
Flap Covers are standard on all receptacles.

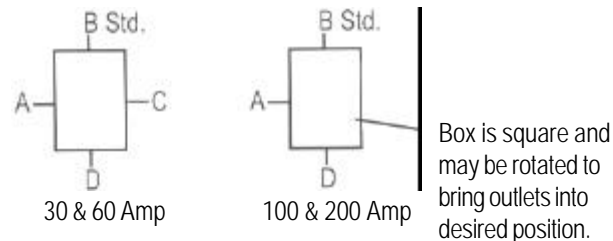
Std. Cable Bushing (see page 10 for other bushings)		
Current Rating	Bushing	Max. AWG Size
30	7/8"	# 8, -7 strand or flexible
60	1 3/16"	# 4, -7 strand or flexible
100	1 1/2"	# 2, -7 strand or flexible

Conduit Size :			
Current Rating	Std. Size	Max. Size	
30	1"	1 1/4"	
60	1"	1"	
100	2"	2"	

Cable Conduit Adapters: see page 112.

Note: 9418/F27194 Automotive 480VAC Version

Outlet Location: Standard Series








Heavy Service Ever-Lok® -Receptacle Mounting Options

Ordering: Order individual pairs or use series letters followed by receptacle I.D. (ref. HSA series number). Example: HSB8414 / (For HSA use receptacle catalog numbers only.)

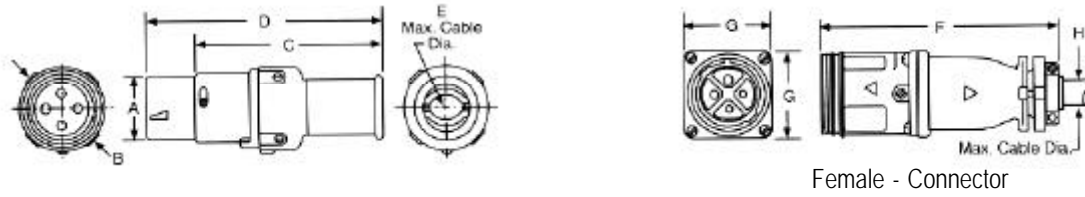
Progressive Assembly

*Select appropriate receptacle by rating, configuration and voltage on Page 108.

Mounting Style	To Order Use:	Current Rating		
		30 Amp	60 Amp	100 Amp
Standard Series HSA 	Receptacle + Vertical or Square Mount Box + Angle Adapter	Basic Receptacle* + JB3 1" Std. Conduit Size + JAA (20°) or JAA3-45 (45°)	Basic Receptacle* + JB6 1 1/2" Std. Conduit Size + JAA6-AB6 (20°) or JAA6-45 (45°)	Basic Receptacle* + JB10 2" Std. Conduit Size + JAA10 (20°) or JAA10-45 (45°)
Series HSR Straight 	Receptacle + Vertical Mount Box Straight Adapter	Basic Receptacle* + JB3 1" Std. Conduit Size JRA3	Basic Receptacle* + JB6 1 1/2" Std. Conduit Size JRA6-AB6	Basic Receptacle* + JB10 2" Std. Conduit Size JRA10
Series HSB 	Receptacle + 30° Angle Adapter	Basic Receptacle* + JAAB3	Basic Receptacle* + JAAB6	Basic Receptacle* + JAAB10
Series HSE 	Receptacle + Angle Enclosure	Basic Receptacle* + JE3 1" Std. Conduit Size	Basic Receptacle* + JE6 1 1/2" Std. Conduit Size	N/A
Series HSH Horizontal 	Receptacle + Horizontal Mount Box + Angle Adapter	Basic Receptacle* + JB3 1" Std. Conduit Size + JHA3 (20°)	N/A	N/A

Heavy Service Ever-Lok® -Dimensions

Plugs and Connectors

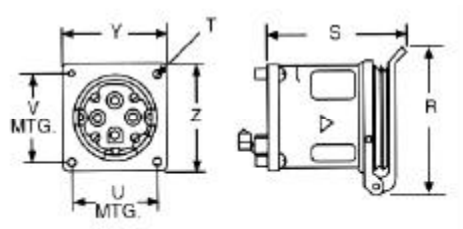


Dimensions for 2, 3 or 4 wire Weathertight Units

Amp	A	B	C*	D	E	F	G	H
30	2"	3"	5.625"	7"	1"	7.625"	2.750"	1.125"
60	2.625"	3.750"	7.687"	9.750"	1.500"	9.625"	3.500"	1.500"
100	2.625"	3.750"	7.687"	11"	1.50"	10.875"	4"	1.875"

* Length of plug exposed when engaged in receptacle or connector.

Basic Receptacles

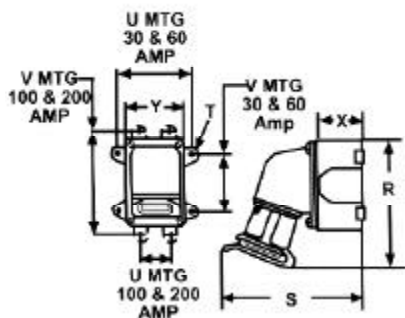


Dimensions for 3 and 4 wire Units

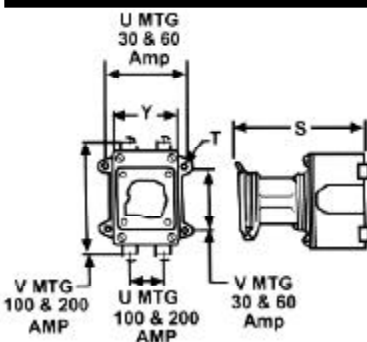
Amp	Y	V	U	T	S	R	Panel Opening
30	2.750"	2.250"	2.250"	0.213"	3.250"	7.000"	2.250" D
60	3.500"	2.875"	2.875"	0.281"	4.625"	8.875"	2.875" D
100	4"	3.375"	3.375"	0.281"	5.875"	10.500"	3"

Heavy Service Ever-Lok® -Dimensions

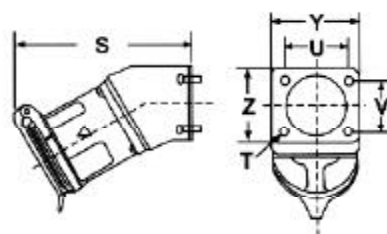
Standard Series HSA



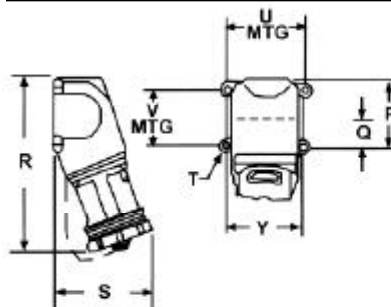
Series HSR



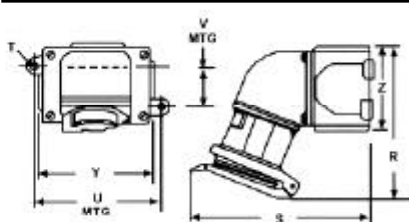
Series HSB



Series HSE



Series HSH





Amp	Series	Z	Y	X	V	U	T	Q	P	SR		Panel opening
30	HSA(20°)	4.500"	3.000"	2.375"	2.687"	3.687"	.250"	-	-	7.375"	7	-
	HSA(45°)	4.500"	3.000"	2.375"	2.687"	3.687"	.250"	-	-	7.875"	6.625"	-
	HSR	4.500"	3.000"	2.375"	2.687"	3.687"	.250"	-	-	6.750"		
	HSB	3.125"	3.125"	-	2.250"	2.250"	.213	-	-	6.250"	-	2.250"
	HSE	-	3.50"	-	-	4.000"	.250"	1.250"	2.375"	5.250"	7.250"	-
	HSH	3.937"	4.500"	2.375"	3.687"	2.687"	.250"	-	-	7.250"	6.125"	-
60	HSA(20°)	5.625"	4.000"	3.000"	3.812"	4.937"	.343"	-	-	9.250"	8.875"	-
	HSA(45°)	5.625"	4.000"	3.000"	3.812"	4.937"	.343"	-	-	9.875"	8.250"	-
	HSR	5.625"	4.000"	3.000"	3.812"	4.937"	.343"	-	-	8.375"		
	HSB	3.187"	3.625"	-	2.187"	2.625"	.281"	-	-	9.250"	-	2.500"
	HSE	-	4.250"	-	3.125"	4.500"	.281	1.562"	3.687"	6.750"	9.750"	-
100	HSA(20°)	5.500"	5.500"	3.750"	6.750"	4.250"	.343"	-	-	10.750"	10.500"	-
	HSA(45°)	5.500"	5.500"	3.75"	6.750"	4.250"	.343"	-	-	11.750"	9.500"	-
	HSR	5.500"	5.500"	3.750"	6.750"	4.250"	.373"	-	-	12.250"	-	-
	HSB	3.187"	3.625"	-	2.187"	2.625"	.281"	-	-	9.250"	-	2.500"

Note: U = horizontal mounting hole centers; V = vertical mounting hole centers

Heavy Service Ever-Lok® -Accessories

Replacement Interiors

For Receptacles. Connectors. Plugs & Male Inlets

						
Female Interiors: Receptacles & Connectors				Male Interiors: Plug		
Poles/Wires	30 Amp	60 Amp	100 Amp	30 Amp	60 Amp	100 Amp
2P, 3P	ARU323	ARU623	-	APU323	APU623	-
3P,4W	ARU334	AR U634	ARU134-6	APU334	APU634	APU134-6

Notes:

Interiors - arc-resisting composition with machined, full floating, self-aligning contacts.

Solder lug interior will not interchange with mechanical lug.. If you have solder lugs, reorder solder lugs.

Accessories

Adapters are tapped NPT standard pipe thread to accommodate rigid conduit or standard connectors for armored and non-metallic cable or flexible conduit.



JPA 64
Conduit
Adaptor.

Plug or Connector Sizes

30 Amp Cat. No	Tapped Hole Size NPT	60 Amp Cat. No.	Tapped Hole Size NPT	100 Amp Cat. No.	Tapped Hole Size NPT
JPA31	1/2"	JPA62	3/4"	JPA104	1 1/4"
JPA32	3/4"	JPA63	1"	JPA105	1 1/2"
JPA33	1"	JPA64	1 1/4"	JPA 106	2"

NOTES:

Material - cast aluminum, corrosion-resistant copper-free alloy, electrostatic epoxy coated. Furnished complete with gasket and screws.

To specify standard plugs or connectors equipped with one of the above adapters, add the catalog number of the adapter selected to the catalog number of the plug or connector. Complete list price is the list price of the device plus list price of the adapter.

Example: Cat. No. 8443 with adapter tapped 1-inch would be Cat. No. 8443/JPA33